

Blow Tank

Industry: Pulp & Paper

Challenge

Braided packing life was very short, constantly leaking pulp and black liquor. The mill couldn't continuously stop production to replace packing to eliminate leaks. Leaking pulp and black liquor contaminated the agitator gearbox below and the leaking black liquor created an environmental and safety concern.

Solution

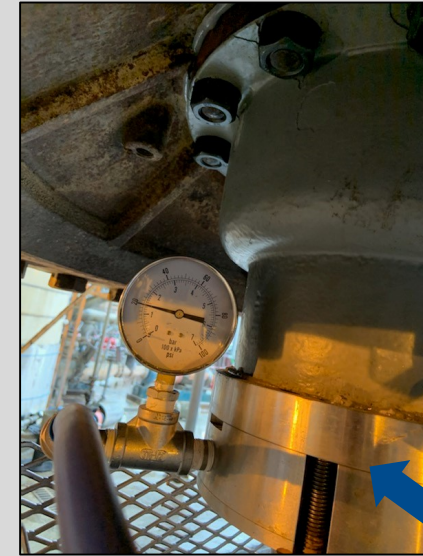
An Inpro/Seal® Air Mizer® shaft seal with adapter plate and lantern ring stuffing box bushing was installed in October 2019. The Inpro/Seal Air Mizer is a non-contacting, permanent shaft seal that utilizes a positive air purge on the shaft to eliminate product loss and contamination. The seal was installed with an AM Control Panel with alarm for a fast and efficient air supply setup.

Result

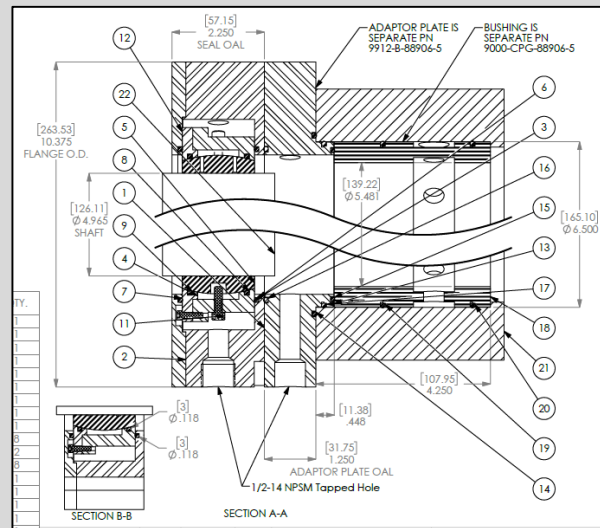
The first seal installation was successful, permanently keeping the pulp and black liquor from leaking. The plant was satisfied with the result and installed two more Air Mizers on their two other blow tanks in early 2020.



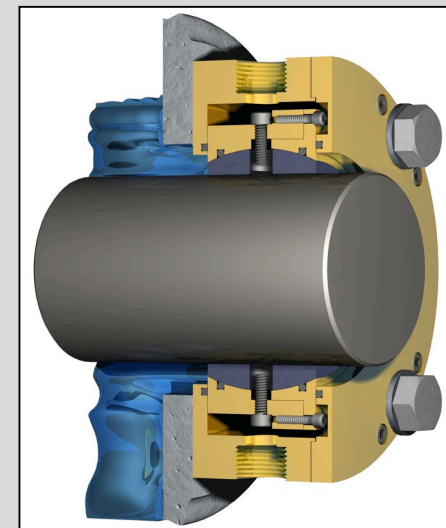
Before: Leaking blow tank bottom entry vertical agitator



After: Air Mizer installation



Inpro/Seal Air Mizer AM Smooth Bore design with lantern ring bushing



Air Mizer Cutaway