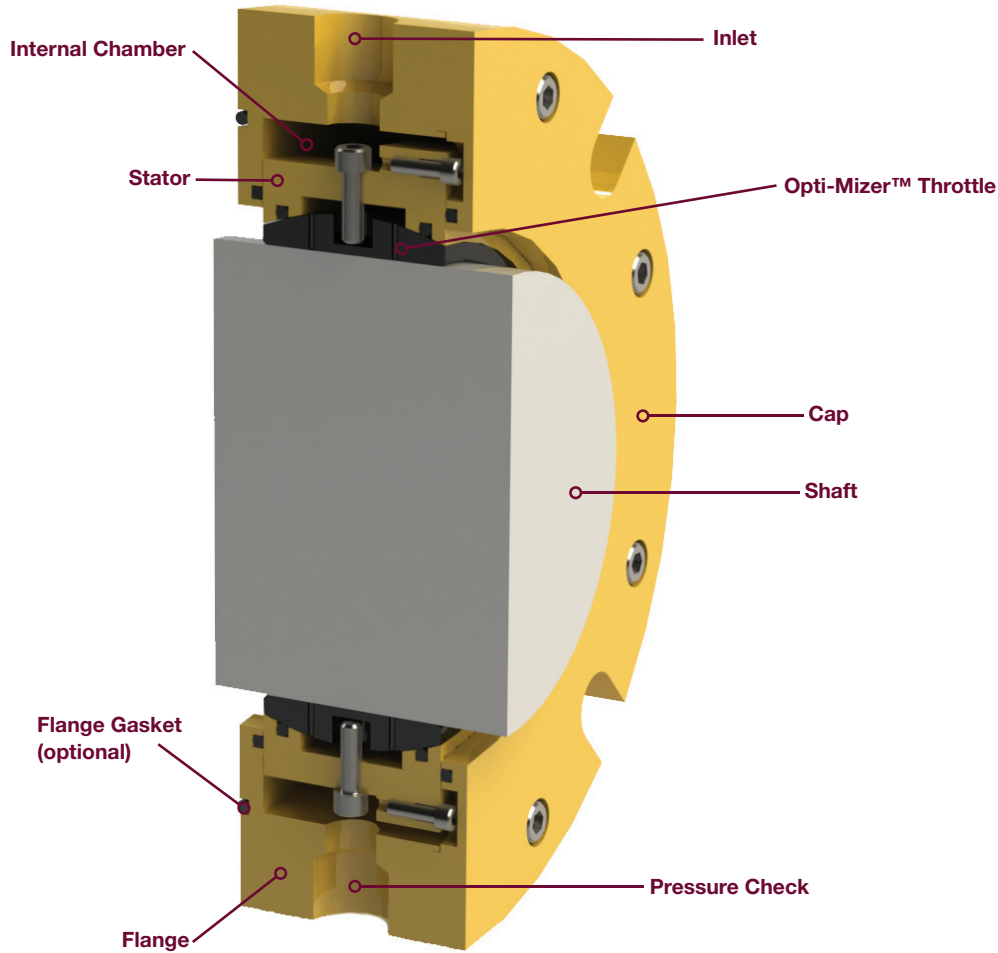


## AM Smooth Bore



### Technical Features

Opti-Mizer Throttle

### Applications

Mixers, Blenders, Agitators,  
Extruders, General Processing  
Equipment

### Industries

All

## AM SMOOTH BORE TECHNICAL DATA

A non-contacting permanent shaft seal that uses air, or inert gas, to create a positive purge on the shaft that eliminates product loss or contamination for powders, liquids, slurries and bulk solids.

**Standard Materials:** Bearing Bronze, Aluminum, Stainless Steel

**Product Pressure:** 2.07 bar [30 psi]

**Speed:** 3,600 RPM

**Movement:** Axial- unlimited | Standard Radial- 3 mm [0.118 in.]

**Shaft Size:** 25.4 mm [1 in.] – 508 mm [20 in.]

Consult engineering for shaft sizes above 254 mm [10 in.]

**Temperature Range:** -29°C [-20°F] to 149°C [300°F]

\* Consult Inpro/Seal Representative for operating conditions outside values shown above