

Air Mizer®

BENEFITS

- Improved reliability and MTBF
- Reduced air consumption
- Improved bearing life

FEATURES

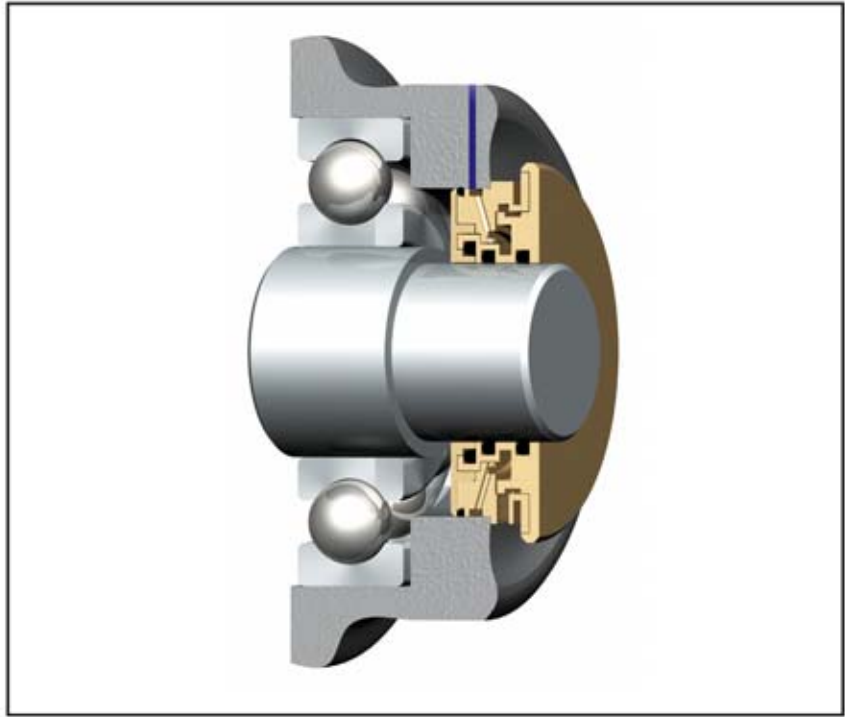
- No wearing parts
- Air assisted compound labyrinth
- Made to order
- Same day shipments
- Minimal air consumption
- Operates in submerged environment

APPLICATIONS

- Machine tool spindles
- Sleeve Bearing Motors
- Gearboxes
- Conveyors
- Powder handling units



**INPRO/SEAL®
COMPANY**



Twice the reliability at one-tenth the cost!

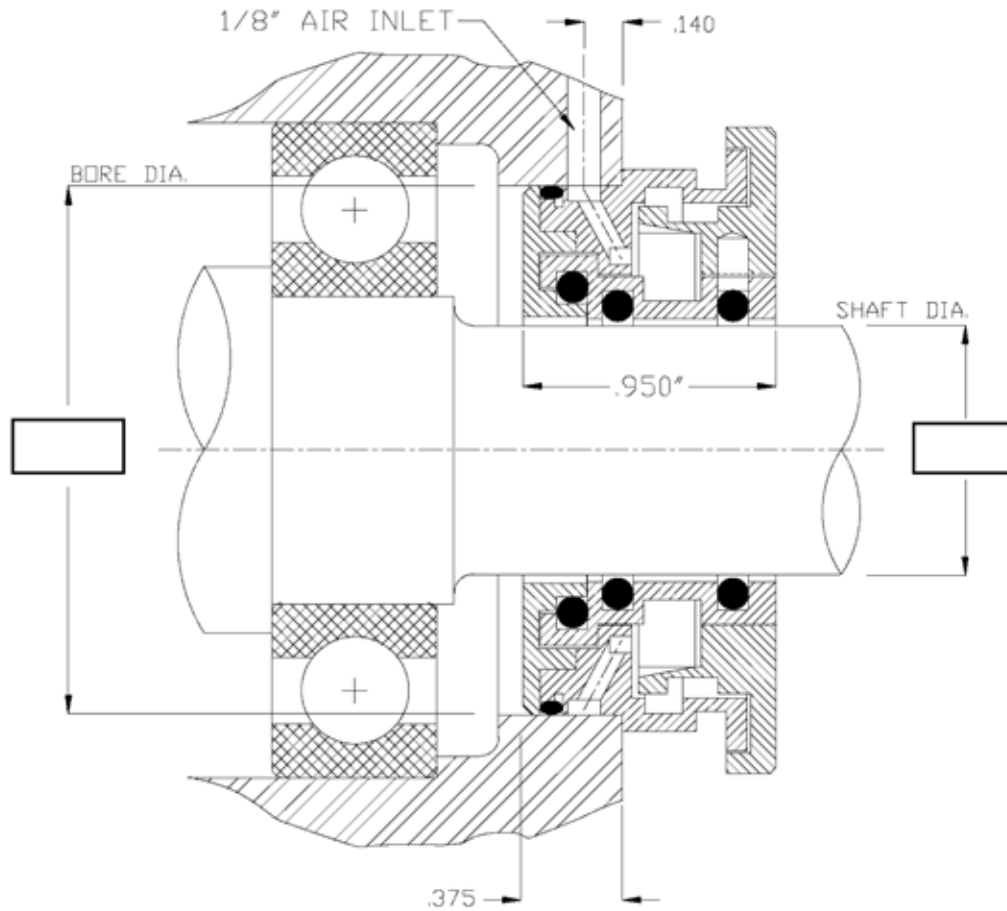
Specifically designed for the extreme applications in the Machine Tool Spindle Industry, the Inpro/Seal® Air Mizer® uses a positive air purge to enhance the performance of the industry leading compound labyrinth seal. For standard applications the Air Mizer® consumes less than 1 SCFM [28 slm] of plant air at 3 PSIG [0.2 bar]. This results in considerable savings in operating costs of more than \$700 per year **PER SEAL** when compared to other air purge sealing options.

The Air Mizer® utilizes Inpro/Seal's non-contacting labyrinth seal technology to provide a bearing seal with no wearing parts that will last the life of the equipment. Its unique "VBX" vapor blocking technology provides a barrier to humidity ingress and its unique reverse "XX" rotor-stator interface prevents the ingress of contaminants. Even when airflow is temporarily halted, the Air Mizer® is an effective non-contact Bearing Isolator.

In the General Industrial market, the Air Mizer® is used successfully to prevent the ingress of contaminants and retain lubrication in Sleeve Bearing Motors, Gearboxes, Powder Conveyors and other powder-handling units.

Request For Quote

FORM # 4.3.039 REV. ORG.



EQUIPMENT I.D.	_____	SHAFT RUNOUT	_____	BRONZE	<input type="checkbox"/>
LUBRICATION	_____	AXIAL MOVEMENT	_____	303 S.S.	<input type="checkbox"/> (CHECK ONE)
RPM	_____	EQUIPMENT	_____	OTHER	<input type="checkbox"/>

ANYTHING ELSE WE SHOULD KNOW ABOUT? _____



Same Day Shipments
Over 2,000,000 Installed
www.bearingisolators.com



Inpro/Seal® Company
#1 In Bearing Isolators
 4221-81st Avenue West • Rock Island, IL 61201
 Ph: 309.787.4971 • 800.447.0524 • Fax: 309.787.6114 • 309.787.6190
 e-mail: info@inpro-seal.com • Visit us on the web: www.inpro-seal.com