

Air Mizer-PS

BENEFITS

- No constant seal rebuilds
- Eliminates unscheduled downtime
- Reduces maintenance costs
- Easy installation

FEATURES

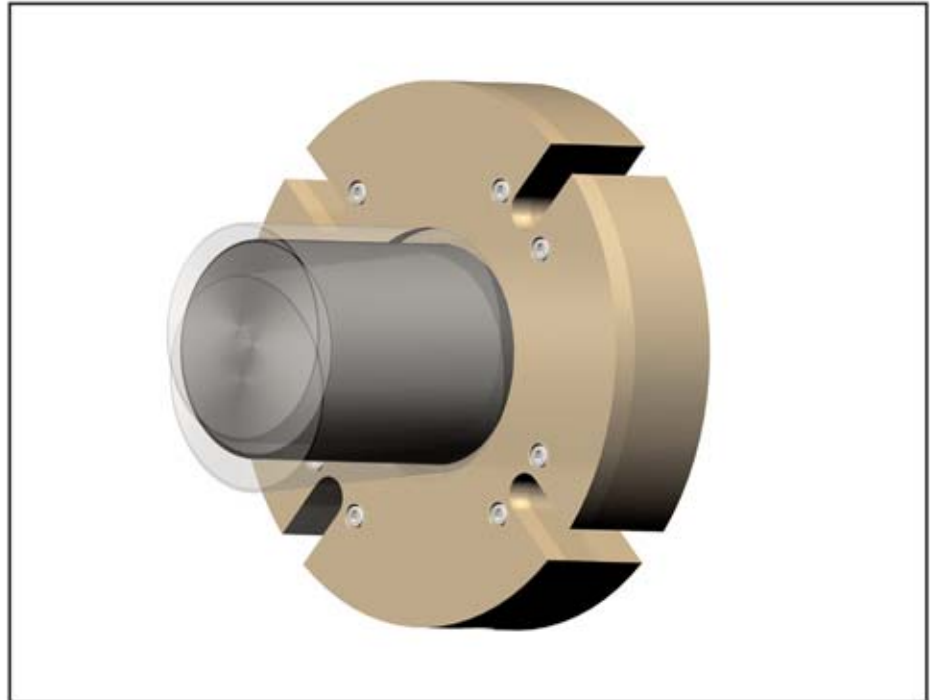
- Accepts extreme misalignments
- Air assisted compound labyrinth
- Made to order
- Field disassembly
- Minimal air consumption
- Optional split seal

APPLICATIONS

- Conveyors
- Valves
- Feeders
- Mixers
- Blenders



INPRO/SEAL[®]
COMPANY



Air Mizer-PS Product Seal

The Air Mizer-PS is ideal for containing powder, bulk solids or slurries in many types of open equipment including: conveyors, rotary valves, mixers, mills and clinker grinders.

This unique design combines compound labyrinth seal technology enhanced with a positive air purge to create a barrier for particulates. The Air Mizer-PS reduces maintenance, downtime, housekeeping and lost product.



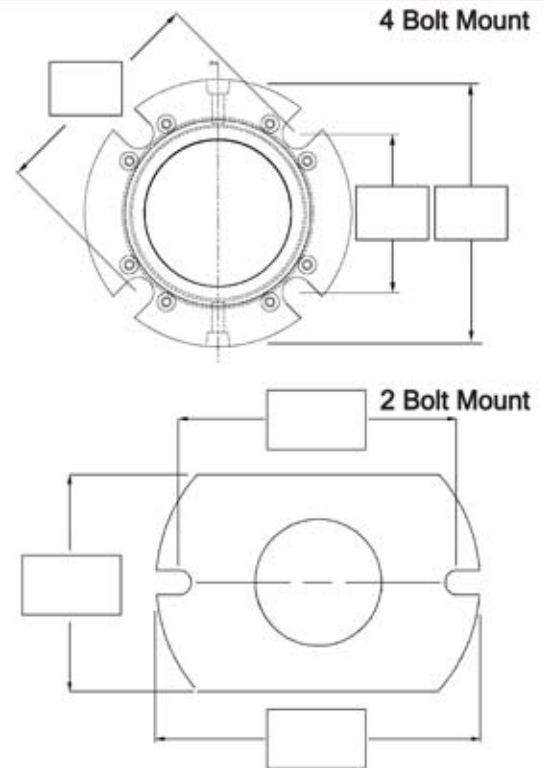
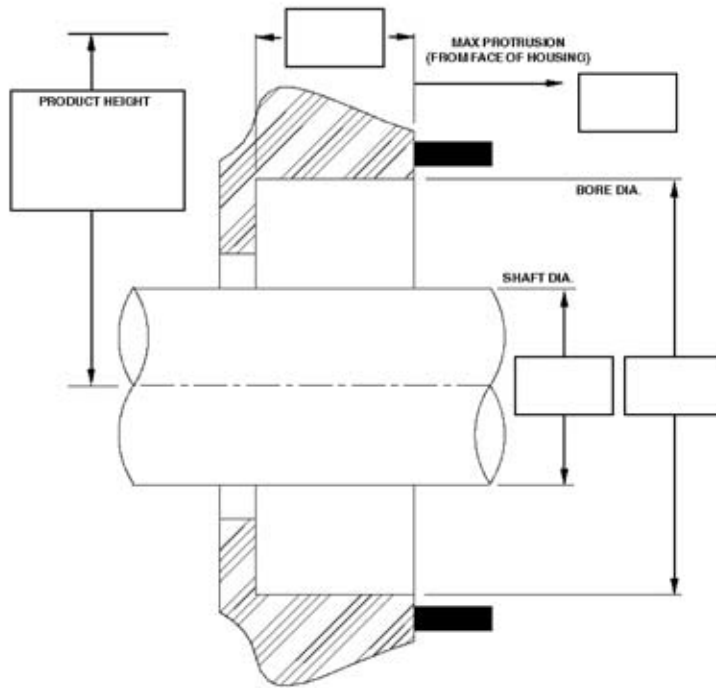
Inpro/Seal's latest generation Air Mizer-PS is designed specifically to handle the extreme misalignments commonly found in equipment and is available in split or solid designs.



Every Air Mizer-PS is individually designed and manufactured specifically for easy installation in your equipment. To receive a quotation, complete the data sheet on the reverse side.

Air Mizer-PS Request For Quote

FORM # 4.3.037 REV. 0RG.



Please supply all dimensions to (3) decimal places

Data Needed For Quote

- 1) Application: Conveyor Mixer ClinkerGrinder Other _____ **Briefly Describe The Application**
- 2) Current Sealing Solution: LipSeal Packing Other _____
- 3) Shaft Position: Horizontal Vertical Up Vertical Down
- 4) Primary Dim: Shaft _____ Flange O.D. _____ Max OAL _____
- 5) Product To Be Sealed: _____
- 6) Product Density / Specific Gravity: _____
- 7) RPM: _____
- 8) Temperature At Seal Location: _____
- 9) Misalignment: DRO _____ STBM: _____
- 10) Bolts / Gland Studs: 2 4 Size _____
- 11) Material Of Construction: Bronze Stainless Other _____
- 12) O-ring Material: Viton Other _____
- 13) Vented To Atmosphere: Yes No
- 14) Air Into Product: Ok Not Ok
- 15) Total Pieces Of Equipment: _____
- 16) Seal: Split Solid
- 17) Contact For Questions: _____



Same Day Shipments
Over 2,000,000 Installed
www.bearingisolators.com



Inpro/Seal® Company

#1 In Bearing Isolators

4221-81st Avenue West • Rock Island, IL 61201

Ph: 309.787.4971 • 800.447.0524 • Fax: 309.787.6114 • 309.787.6190

e-mail: info@inpro-seal.com • Visit us on the web: www.inpro-seal.com