

# PILLOW BLOCK

## BENEFITS

- Reduces maintenance costs
- Improves reliability
- Extends bearing life
- Increases lubrication retention

## FEATURES

- Aligns with the shaft
- Compound labyrinth sealing interface
- Made to order
- Available in split or solid

## APPLICATIONS

- Fans
- Paper Machine Rolls
- Conveyors
- Roll Out Tables
- Crushers
- And Many More



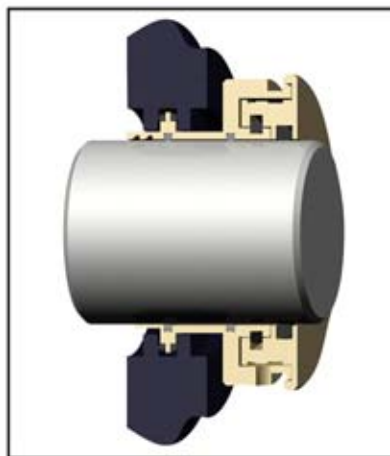
**INPRO/SEAL<sup>®</sup>**  
**COMPANY**



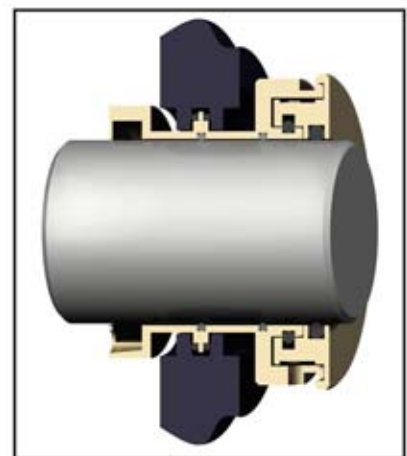
## Inpro/Seal<sup>®</sup> Bearing Isolators for Pillow Blocks

Eliminate the problem of angular misalignment in your pillow block application with Inpro/Seal<sup>®</sup> Bearing Isolators. They align precisely to the shaft and **not to the housing**, using patented alignment skates.

Protect your bearings from contamination and prevent lubrication from escaping with genuine Inpro/Seal<sup>®</sup> Bearing Isolators.



**Grease Lube**



**Oil Lube**

Available in both **SPLIT** and **SOLID** designs.

