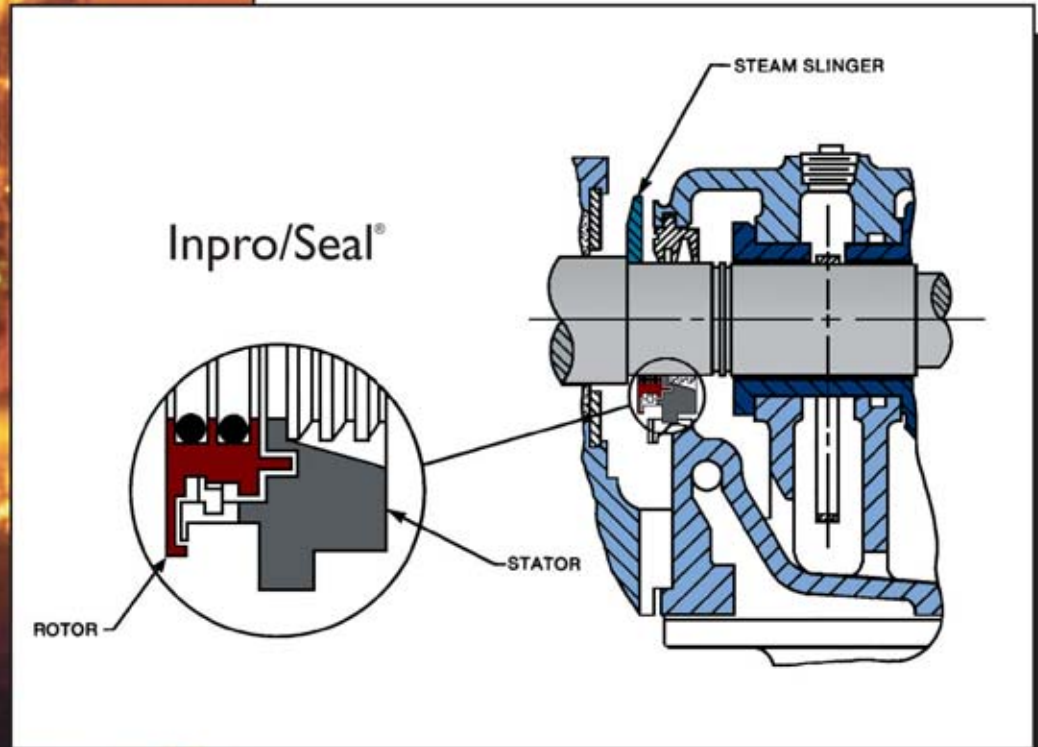


**Bearing Isolators for:**

# STEAM TURBINES



Water contamination in turbine lube oil is a serious concern for operations and maintenance personnel.

Journal bearings are somewhat tolerant of this condition, but the thrust bearings and trip components on the governor end are vulnerable to even a slight water content in the lubricant.

Now, water content in the lube oil can be kept to an absolute minimum by installing Inpro/Seal<sup>®</sup> Bearing Isolators into the bearing cases in place of the flow-through labyrinth baffles.

Inpro/Seal<sup>®</sup> Bearing Isolators are available for immediate shipment for all Elliott, Terry, Turbodyne/Dresser Rand, and other single stage mechanical drive turbines. They will probably cost you less than the OEM parts, and perform much more efficiently.

For new turbines and for all field repairs, specify Inpro/Seal<sup>®</sup> Bearing Isolators. The only thing you have to lose is the water in your lube oil.



**Same Day Shipments**  
**Over 2,000,000 Installed**  
[www.bearingisolators.com](http://www.bearingisolators.com)



**Inpro/Seal<sup>®</sup> Company**

**#1 In Bearing Isolators**

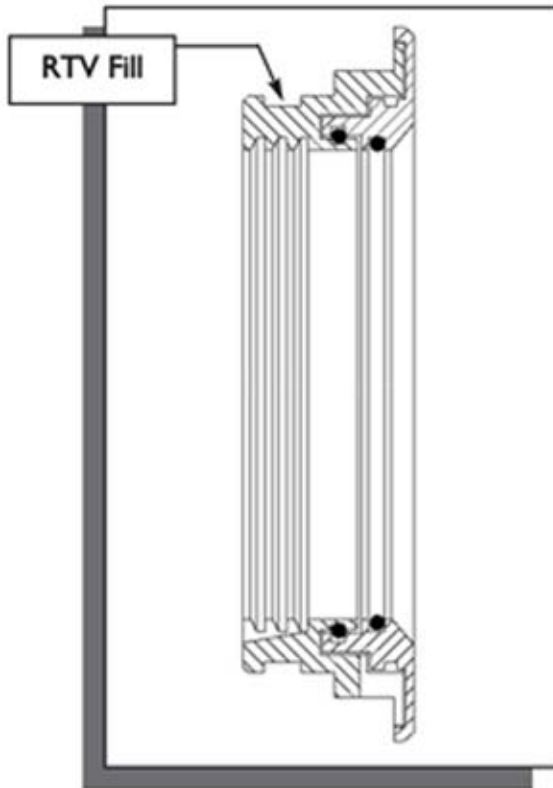
4221-81<sup>st</sup> Avenue West • Rock Island, IL 61201

Ph: 309.787.4971 • 800.447.0524 • Fax: 309.787.6114 • 309.787.6190

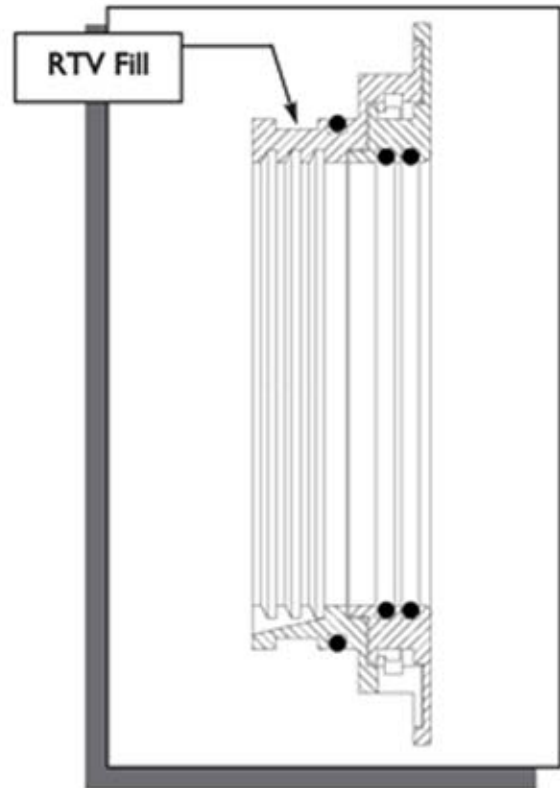
e-mail: [info@inpro-seal.com](mailto:info@inpro-seal.com) • Visit us on the web: [www.inpro-seal.com](http://www.inpro-seal.com)

# Inlet Temperature 400°F (200°C) or Less

VBX® O-Ring Drive

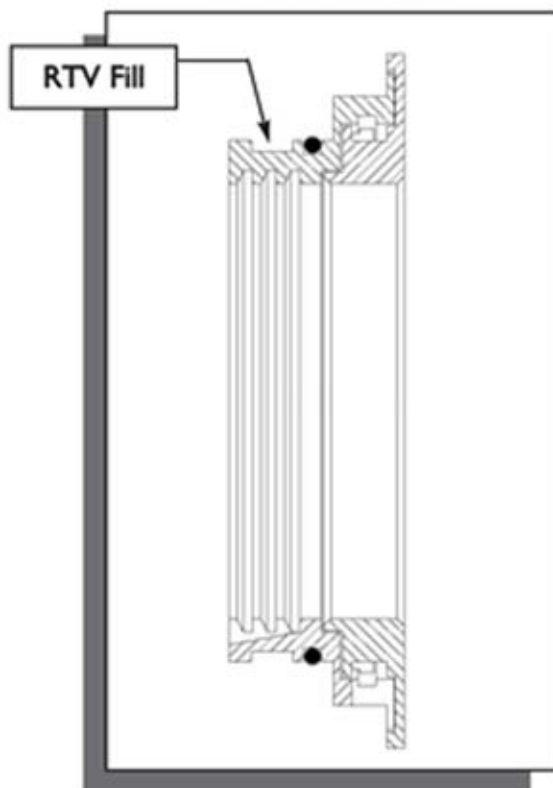


O-Ring Drive



# 400° - 750°F (200° - 400°C) Total Temperature

Shrink Fit Rotor



Set Screw Drive/Graphite Seal

