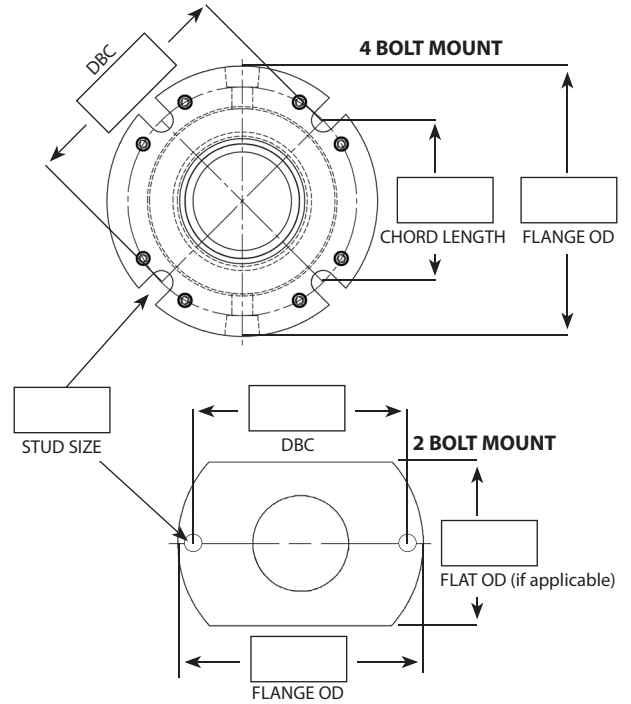
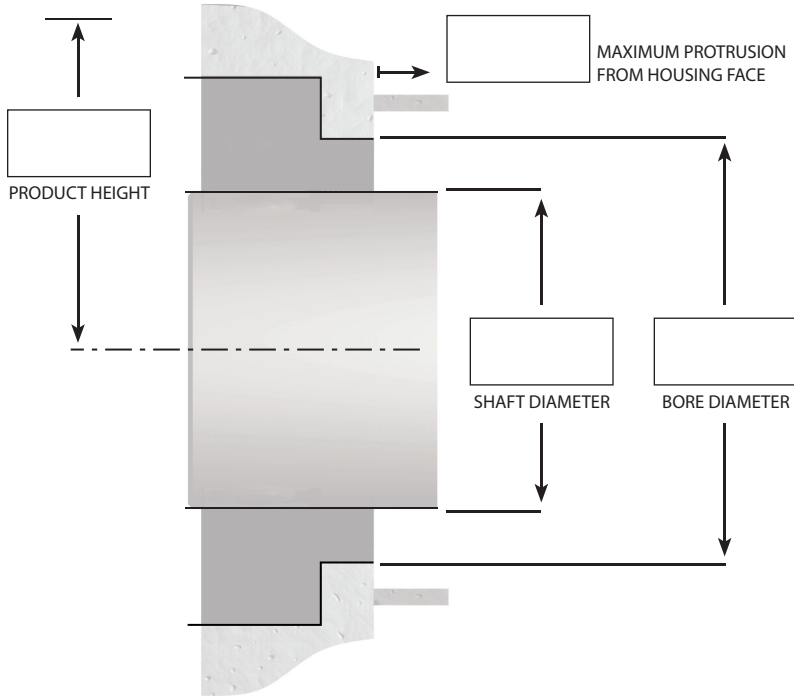


# AIR MIZER® REQUEST FOR QUOTE



MEASUREMENTS:  US Standard (three decimal places)  Metric (two decimal places)

**VENTED TO ATMOSPHERE:** Yes No  
**SEALING MEDIUM:** Instrument Air Plant Air Nitrogen  
**CAN SEALING MEDIUM ENTER PRODUCT:** Yes No  
**SEAL TYPE:** Split Solid  
**EQUIPMENT:** \_\_\_\_\_  
**SHAFT MATERIAL:** \_\_\_\_\_  
**CURRENT SEALING SOLUTION:** Lip Packing  
 Other \_\_\_\_\_  
**SHAFT POSITION:** Horizontal Vertical Up Vertical Down  
**PRODUCT TO BE SEALED:** \_\_\_\_\_  
**PRODUCT/PROCESS PRESSURE:** \_\_\_\_\_  
**RPM:** \_\_\_\_\_  
**MISALIGNMENT:** DRO \_\_\_\_\_ Axial Movement \_\_\_\_\_  
**TEMPERATURE AT SEAL:** °C | °F Min \_\_\_\_\_ Max \_\_\_\_\_  
**TEMPERATURE OF PRODUCT:** \_\_\_\_\_

**FOR EQUIPMENT ABOVE 121°C (250°F)**

**SHAFT GROWTH:** mm | in \_\_\_\_\_

**FULL OPERATING TEMPERATURE RANGE:**

°C | °F Min \_\_\_\_\_ Max \_\_\_\_\_

**BOLT MOUNT:** 2 4 Other \_\_\_\_\_

**SEAL MATERIAL:** Bronze Stainless Other \_\_\_\_\_

**FOOD GRADE:** FDA USDA Not Applicable

**O-RING MATERIAL:** \_\_\_\_\_

**CONTACT FOR QUESTIONS:** \_\_\_\_\_

**BRIEFLY DESCRIBE THE APPLICATION**

---



---



---



---



---



---



---



---



---



---



www.inpro-seal.com | info@inpro-seal.com

