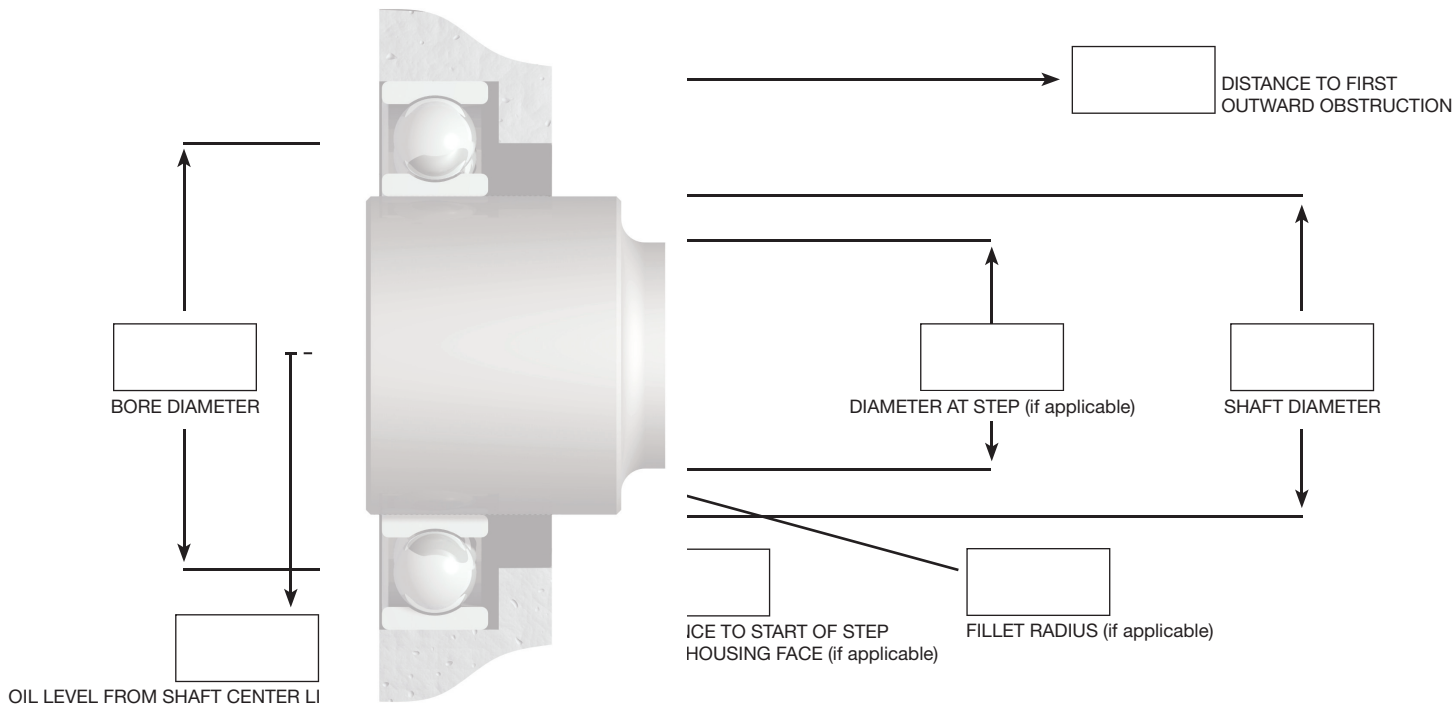


STEAM TURBINE REQUEST FOR QUOTE



MEASUREMENTS: US Standard (three decimal places) Metric (two decimal places)

MANUFACTURER & MODEL: _____

SEAL LOCATION: Coupling Drive End Steam Thrust End Steam

TEMPERATURE AT SEAL: °C | °F Min _____ Max _____

SHAFT THERMAL EXPANSION: _____

HARD SHAFT COATING: Yes No

SHAFT SPEED: _____

LUBE: Grease Oil Sump Oil Mist Forced Oil System

THRUST BEARING AXIAL MOVEMENT: _____

MISALIGNMENT:

Diametric Run Out > 0.13 mm [0.005 in.] TIR? Yes No

If yes, how much? _____

Shaft To Bore Misalignment > 0.18 mm [0.007 in.] TIR? Yes No

If yes, how much? _____

HOUSING TYPE: Solid Split _____

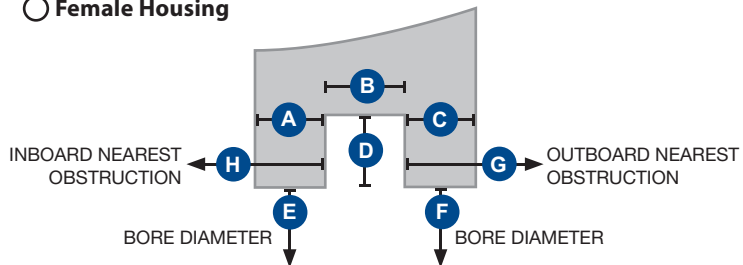
SEAL TYPE: Solid Split

CONTACT FOR QUESTIONS: _____

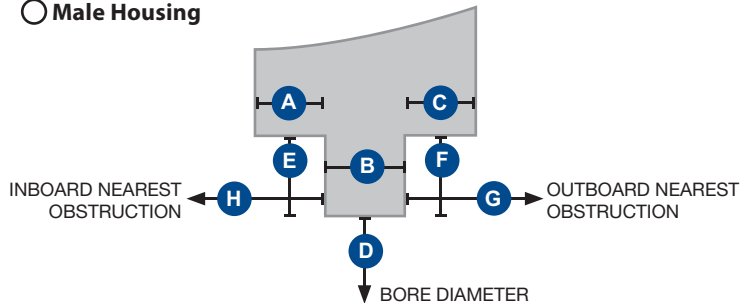
BRIEFLY DESCRIBE THE APPLICATION

STEPPED HOUSINGS (circle one if applicable)

Female Housing



Male Housing



A _____	E _____
B _____	F _____
C _____	G _____
D _____	H _____



www.inpro-seal.com | info@inpro-seal.com

