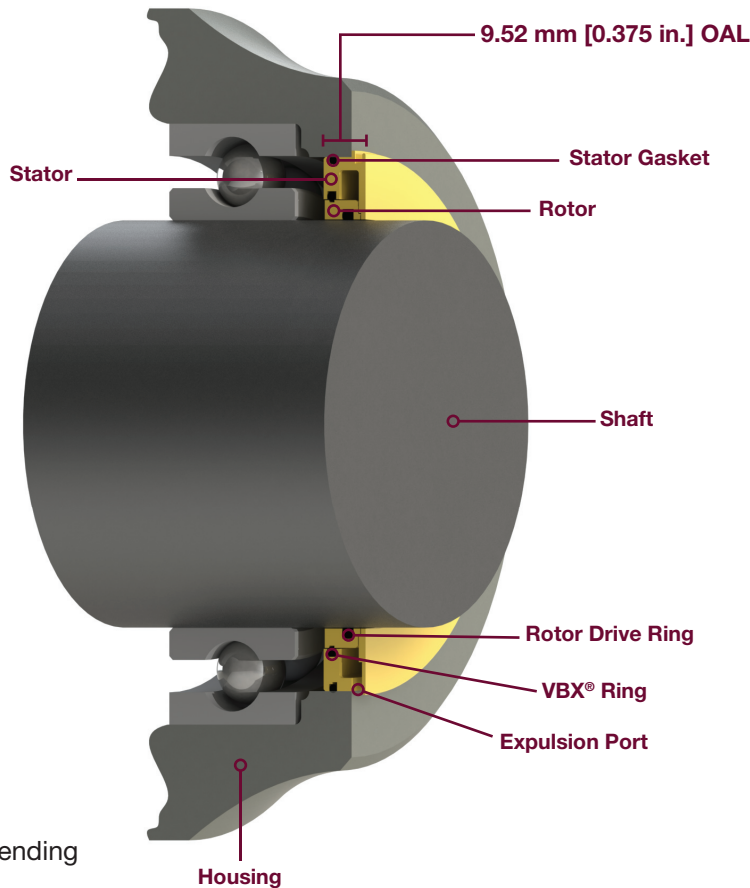


BEARING ISOLATOR

mini66



Technical Features

VBX® Ring, Compact Overall Length

Applications

Grease Lube Only

Industries

All

mini66™ TECHNICAL DATA

A two part compound labyrinth seal consisting of a rotor and a stator that excludes contamination – providing IP66 performance in applications with limited space available.

Standard Material: Bearing Bronze, Stainless Steel

Movement: Axial- 0.13 mm [0.005 in.] | Radial- 0.19 mm [0.008 in.]

Temperature (Elastomers): Stator Gasket: Nitrile- -37°C [-35°F] – 121°C [250°F] VBX O-Ring: FKM- -26°C [-15°F] – 204°C [400°F]

Rotor Drive Ring: FKM- -26°C [-15°F] – 204°C [400°F]

Pressure: 0 bar [psi]

Speed: 10,000 SFM

Shaft Size: 15.88 mm [0.625 in.] – Consult engineering for shaft sizes above 101.6 mm [4 in.]

Standard Press Fit: 0.05 mm [0.002 in.] diametric

Standard Overall Lengths: 9.52 mm [0.375 in.]

* Consult Inpro/Seal engineering for operating conditions outside limits shown above



www.inpro-seal.com | info@inpro-seal.com



© 2019 Dover Precision Components. All rights reserved. | d14.012.1-OC19