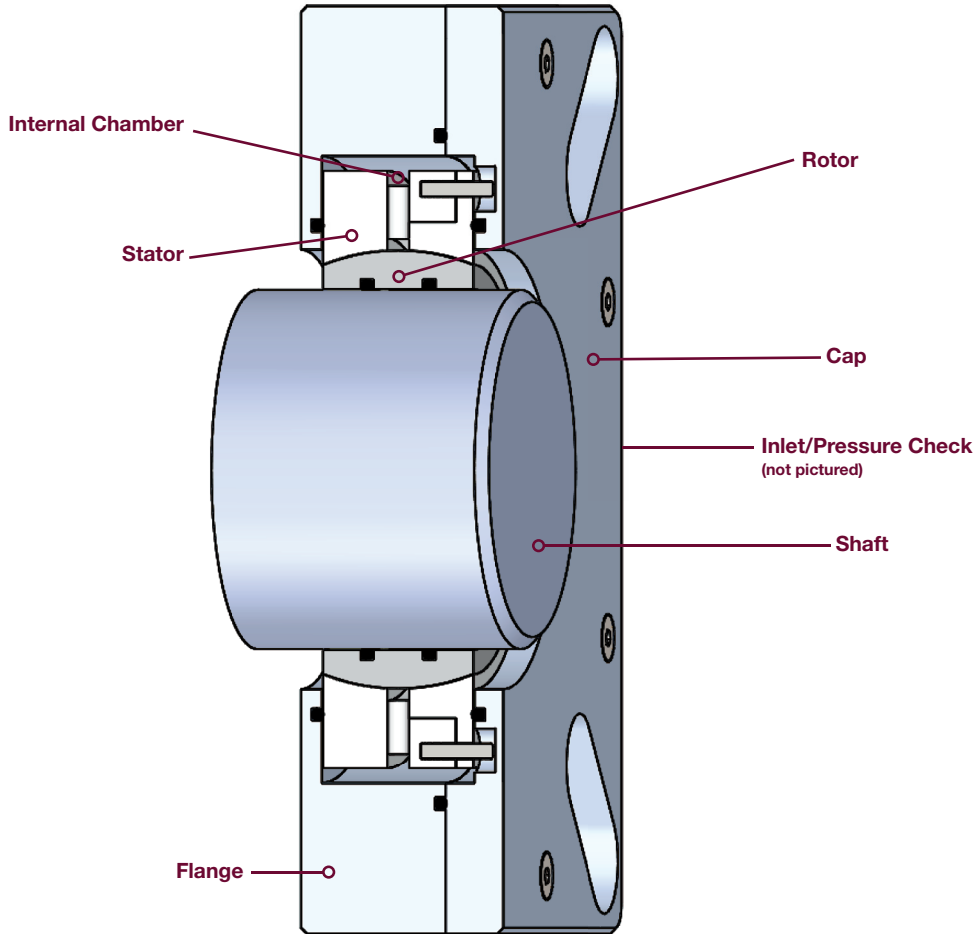


AIR MIZER®

AM CEMA



Technical Features

Rotor

Applications

CEMA® Screw Conveyors

Industries

All

AM ROTOR CEMA TECHNICAL DATA

A non-contacting permanent shaft seal that uses air, or inert gas, to create a positive purge between the rotor and stator that eliminates product loss or contamination for powders, liquids, slurries and bulk solids on CEMA® Screw Conveyors.

Standard Materials: Bearing Bronze, Aluminum, CFT

Temperature Range: up to 93°C [200°F]

Product Pressure: 2.07 bar [30 psi]

Speed: 1,800 RPM

Movement: Axial- 0.38 mm [0.015 in.] | Standard Radial- 3 mm [0.118 in.]

Standard Dimensions

Shaft Size: 25.4 mm [1 in.] | Flange OD: 107.95 mm [4.250 in.] | Overall Length: 44.4 mm [1.748 in.]
Shaft Size: 38.1 mm [1.500 in.] | Flange OD: 136.53 mm [5.375 in.] | Overall Length: 44.4 mm [1.748 in.]
Shaft Size: 50.8 mm [2 in.] | Flange OD: 161.93 mm [6.375 in.] | Overall Length: 44.4 mm [1.748 in.]
Shaft Size: 61.93 mm [2.438 in.] | Flange OD: 177.8 mm [7 in.] | Overall Length: 44.4 mm [1.748 in.]

Shaft Size: 62.69 mm [2.468 in.] | Flange OD: 177.8 mm [7 in.] | Overall Length: 44.4 mm [1.748 in.]
Shaft Size: 76.2 mm [3 in.] | Flange OD: 196.85 mm [7.750 in.] | Overall Length: 44.4 mm [1.748 in.]
Shaft Size: 87.33 mm [3.438 in.] | Flange OD: 234.95 mm [9.250 in.] | Overall Length: 44.4 mm [1.748 in.]

* Consult Inpro/Seal Representative for operating conditions outside values shown above



www.inpro-seal.com | info@inpro-seal.com



© 2019 Dover Precision Components. All rights reserved. | d14.023.1-OC19