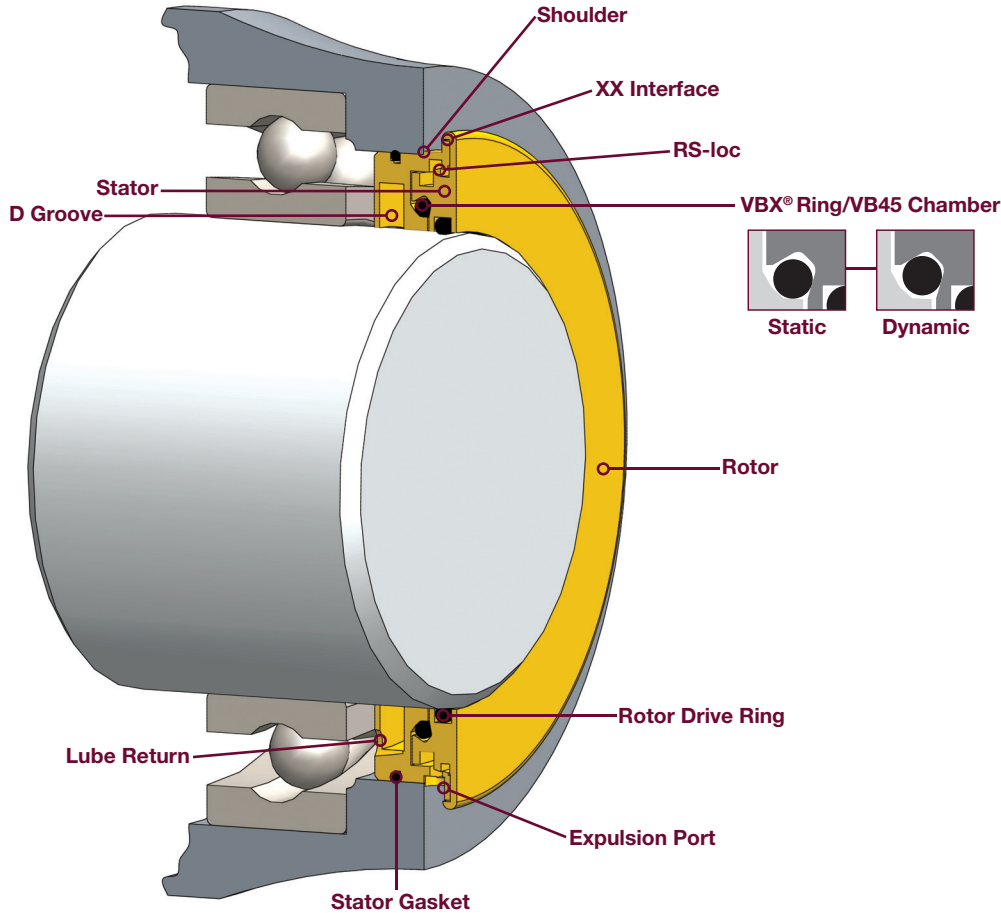


BEARING ISOLATOR

VB45-S™



Technical Features

IP66 Rated, XX Interface, VB45 Chamber, VBX® Ring, D-Groove, 15.88 mm (0.625 in.) overall length

Applications

Pumps, Motors, General Use

Industries

All

VB45-S TECHNICAL DATA

Standard Material: Bearing Bronze

Movement: Axial- 0.13 mm (0.005 in.)
Radial- 0.25 mm (0.010 in.)

Temperature (Elastomers): Stator Gasket: Nitrile- -37°C (-35°F) – 121°C (250°F) VBX® Ring: FKM- -26°C (-15°F) – 204°C (400°F) Rotor Drive Ring: FKM- -26°C (-15°F) – 204°C (400°F)

Pressure: 0 bar [psi]

Speed: 10,000 SFPM

Shaft Size: 22.23 mm (0.875 in.) – 152.4 mm (6 in.)
Consult engineering for shaft sizes above 152.4 mm (6 in.)

Standard Press Fit: 0.05 mm (0.002 in.) diametric

Standard Overall Length: 15.88 mm (0.625 in.)



www.inpro-seal.com | info@inpro-seal.com



© 2019 Dover Precision Components. All rights reserved. | d14.019.1-FE19