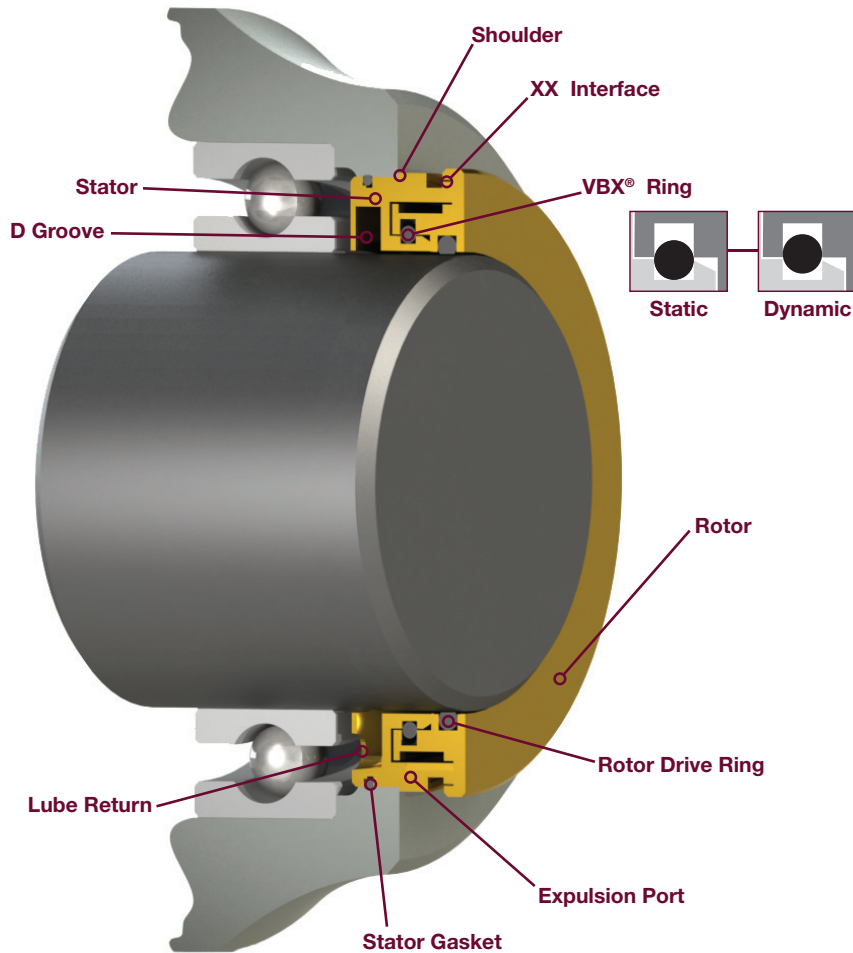


BEARING ISOLATOR

VBXX-D



Technical Features

XX Interface, D-Groove, VBX® O-Ring, For Oil Lubed Applications

Applications

Motors, Pumps, General Use

Industries

All

VBXX-D TECHNICAL DATA

A two part compound labyrinth seal consisting of a rotor and a stator that excludes contamination and retains lubrication.

Standard Material: Bearing Bronze

Movement: Axial- 0.13 mm [0.005 in.] | Radial- 0.38 mm [0.015 in.]

Temperature (Elastomers): Stator Gasket: Nitrile- -37°C [-35°F] – 121°C [250°F] VBX O-Ring: FKM- -26°C [-15°F] – 204°C [400°F]

Rotor Drive Ring: FKM- -26°C [-15°F] – 204°C [400°F]

Pressure: 0 bar [psi]

Speed: 10,000 SFPM

Shaft Size: 15.88 mm [0.625 in.] – 254 mm [10 in.] Consult engineering for shaft sizes above 254 mm [10 in.]

Standard Press Fit: 0.05 mm [0.002 in.] diametric

Standard Overall Lengths: 15.88 mm [0.625 in.], 17.78 mm [0.700 in.], 22.86 mm [0.900 in.]

* Consult Inpro/Seal engineering for operating conditions outside limits shown



www.inpro-seal.com | info@inpro-seal.com



© 2019 Dover Precision Components. All rights reserved. | d14.001.1-OC19