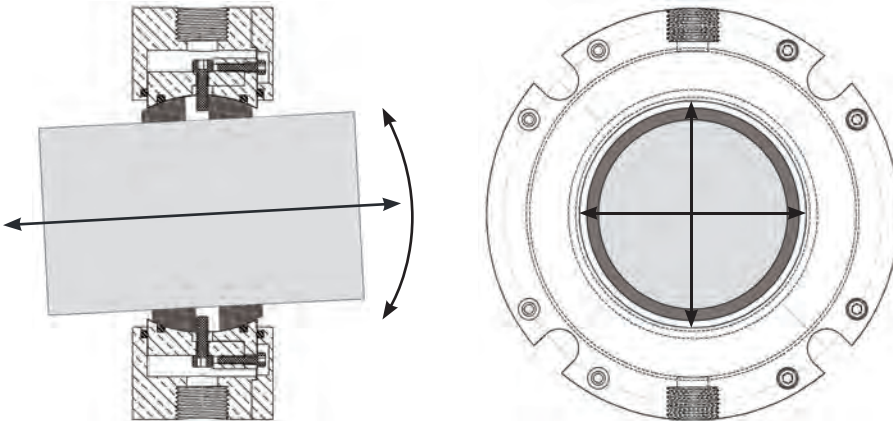


APPLICATION SOLUTIONS: **AGITATORS**

A MAINTENANCE FREE PERMANENT SHAFT SEALING SOLUTION

Agitators are an important application within the processing industry. Unfortunately, they suffer from product leakage due to ineffective sealing solutions. This leads to increased costs due to product loss, product contamination, housekeeping and safety issues.

Effectively seal your agitators with Inpro/Seal® AM (Air Mizer®) Solutions™. Unlike packing or other sealing methods, AM Solutions permanent shaft seals require zero maintenance or rebuilds. This unique technology uses small amounts of air, or inert gas, as a barrier around the seal to safeguard against both product loss and contamination for powders, liquids, slurries and bulk solids.



Inpro/Seal AM Solutions are designed to handle extreme conditions including radial run-out, axial movement and angular misalignment simultaneously

Count on us to decrease your total cost of operation by protecting against product loss and increased housekeeping. As the inventor of AM Solutions complete shaft sealing technology, Inpro/Seal has the knowledge and local sales network to deliver expert engineering and proven results.



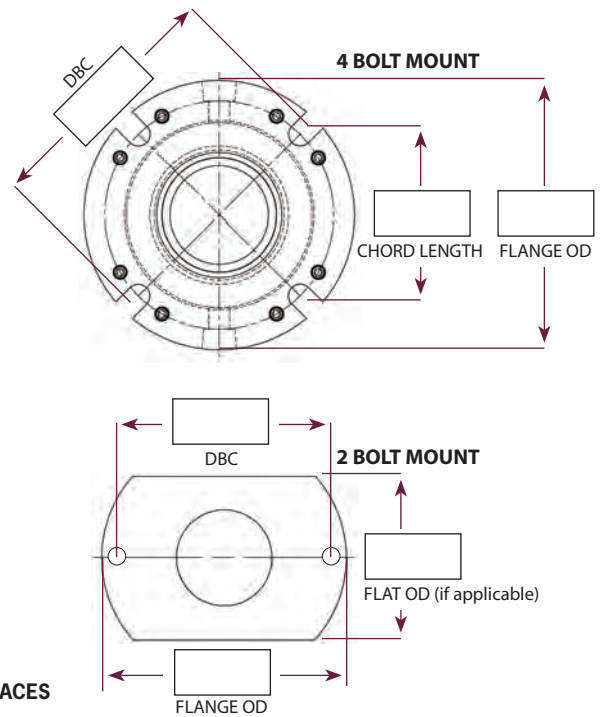
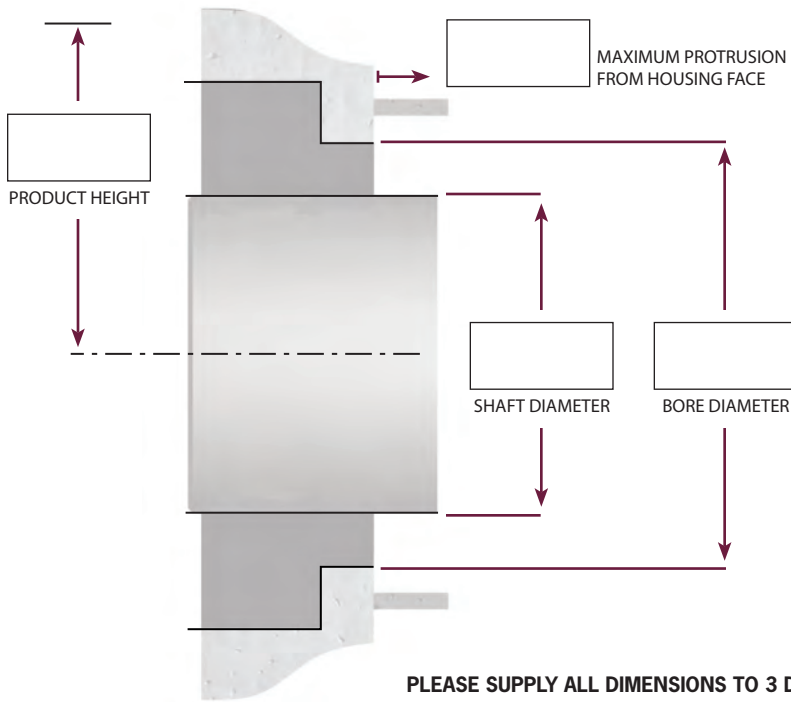
FACTS AT A GLANCE

Inpro/Seal® AM Solutions™ shaft seals installed on agitators:

- permanently seal against product loss and contamination.
- require zero maintenance and no periodic rebuilds.
- can be split for ease of installation.
- can accommodate radial run-out, axial movement and angular shaft misalignment simultaneously.
- are custom engineered for your specific application and operating environment.
- are manufactured in various materials, including bronze and stainless steel, for corrosion resistance and temperature requirements.



AGITATOR REQUEST FOR QUOTE



Data Needed For Quote

VENTED TO ATMOSPHERE: Yes No

AIR INTO PRODUCT: Yes No

SEAL TYPE: Split Solid

APPLICATION: Agitator Mixer Blender Extruder
Other _____

CURRENT SEALING SOLUTION: Lip Packing
Other _____

SHAFT POSITION: Horizontal Vertical Up Vertical Down

PRIMARY DIMENSIONS: Shaft _____ Flange OD _____
Max OAL _____

PRODUCT TO BE SEALED: _____

PRODUCT DENSITY/SPECIFIC GRAVITY: _____

RPM: _____

TEMPERATURE AT SEAL: °C | °F Min _____ Max _____

TEMPERATURE OF PRODUCT: _____

CONCENTRATION OF PRODUCT: _____

MISALIGNMENT: DRO _____ STBM _____
Angular _____ Axial Movement _____

BOLTS/GLAND STUDS SIZE: _____

BOLT MOUNT: 2 4 Other _____

CONSTRUCTION MATERIAL: Bronze Stainless Other _____

O-RING MATERIAL: Viton Other _____

TOTAL PIECES OF EQUIPMENT: _____

CONTACT FOR QUESTIONS: _____

BRIEFLY DESCRIBE THE APPLICATION

Fax RFQ sheet to 309-787-6114 or email info@inpro-seal.com



EXPERT ENGINEERING. PROVEN RESULTS.