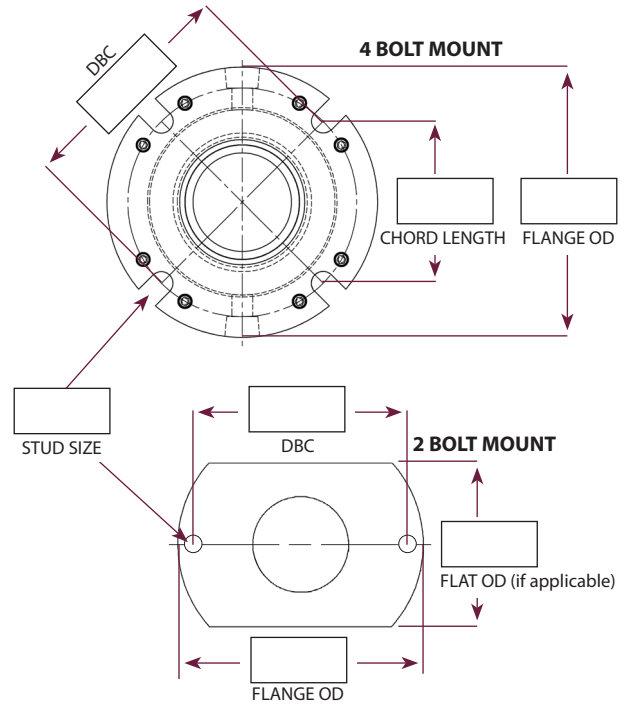
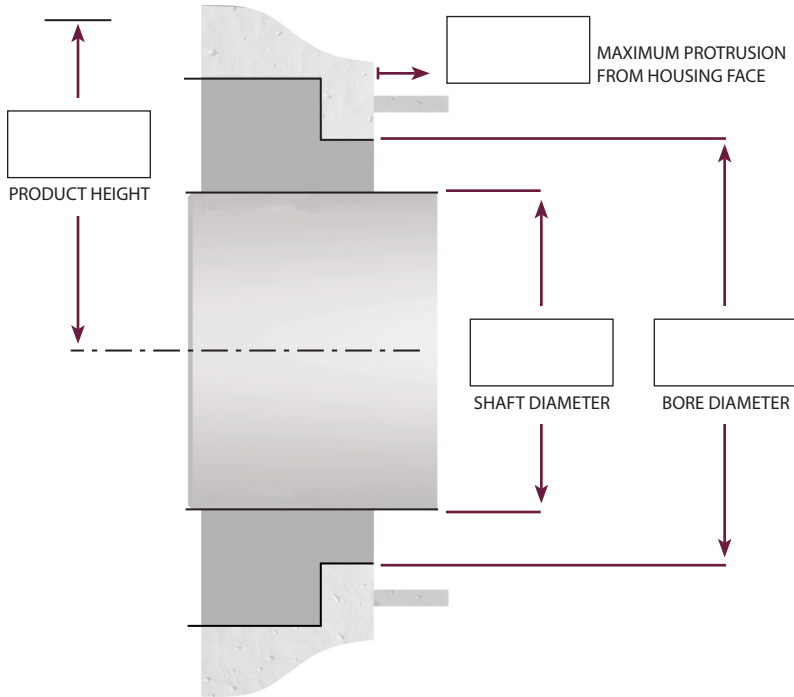


AM SOLUTIONS™ REQUEST FOR QUOTE



MEASUREMENTS: US Standard (three decimal places) Metric (two decimal places)

Data Needed For Quote

VENTED TO ATMOSPHERE: Yes No
SEALING MEDIUM: Instrument Air Plant Air Nitrogen
CAN SEALING MEDIUM ENTER PRODUCT: Yes No
SEAL TYPE: Split Solid
EQUIPMENT: _____
SHAFT MATERIAL: _____
CURRENT SEALING SOLUTION: Lip Packing
 Other _____
SHAFT POSITION: Horizontal Vertical Up Vertical Down
PRODUCT TO BE SEALED: _____
PRODUCT/PROCESS PRESSURE: _____
RPM: _____
MISALIGNMENT: DRO _____ Axial Movement _____
TEMPERATURE AT SEAL: °C | °F Min _____ Max _____
TEMPERATURE OF PRODUCT: _____

FOR EQUIPMENT ABOVE 121°C (250°F)

SHAFT GROWTH: mm | in _____
FULL OPERATING TEMPERATURE RANGE:
 °C | °F Min _____ Max _____

BOLT MOUNT: 2 4 Other _____
SEAL MATERIAL: Bronze Stainless Other _____
FOOD GRADE: FDA USDA Not Applicable
O-RING MATERIAL: _____
CONTACT FOR QUESTIONS: _____

BRIEFLY DESCRIBE THE APPLICATION

Email RFQ to info@inpro-seal.com or your local Inpro/Seal Representative



EXPERT ENGINEERING. PROVEN RESULTS.