

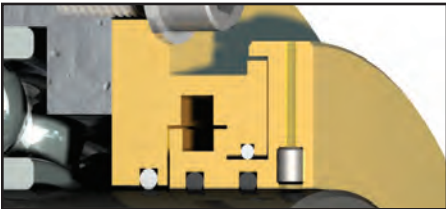


## APPLICATION SOLUTIONS: **PAPER MACHINE ROLLS**

# Permanent Bearing Protection Leads to Increased Reliability.

Bearings, one of the most important components on paper machine rolls, are designed to operate for many years. Yet, bearing failure is common due to high humidity and heavy washdown environments found in paper mills. If you want to increase reliability and decrease maintenance costs, permanently protect your paper machine rolls from lubrication loss and contamination ingress to prevent premature bearing failure and downtime.

Effectively seal your paper machine rolls with patented Inpro/Seal® Bearing Isolator technology. The Inpro/Seal PMR Bearing Isolator is a compound labyrinth seal developed for use with wet and dry end paper machine rolls to prevent catastrophic bearing failure and minimize unscheduled downtime by protecting bearings against contamination ingress and lubrication loss.



Inpro/Seal PMR with heavy duty flinger.

The Inpro/Seal PMR utilizes an integral heavy duty flinger that rotates with the shaft and provides high performance bearing protection by knocking away moisture and other contaminants while also creating a tortuous path against contamination ingress. For use in heavy washdown environments, a large expulsion port allows for large amounts of moisture or other contaminants to be expelled through the seal into atmosphere. Multiple drive rings protect against lubrication loss and contamination ingress traveling on the shaft.

Consisting of a unitized design, the Inpro/Seal PMR allows for axial growth and up to 0.050" of radial movement, and can also be engineered to accommodate angular movement.



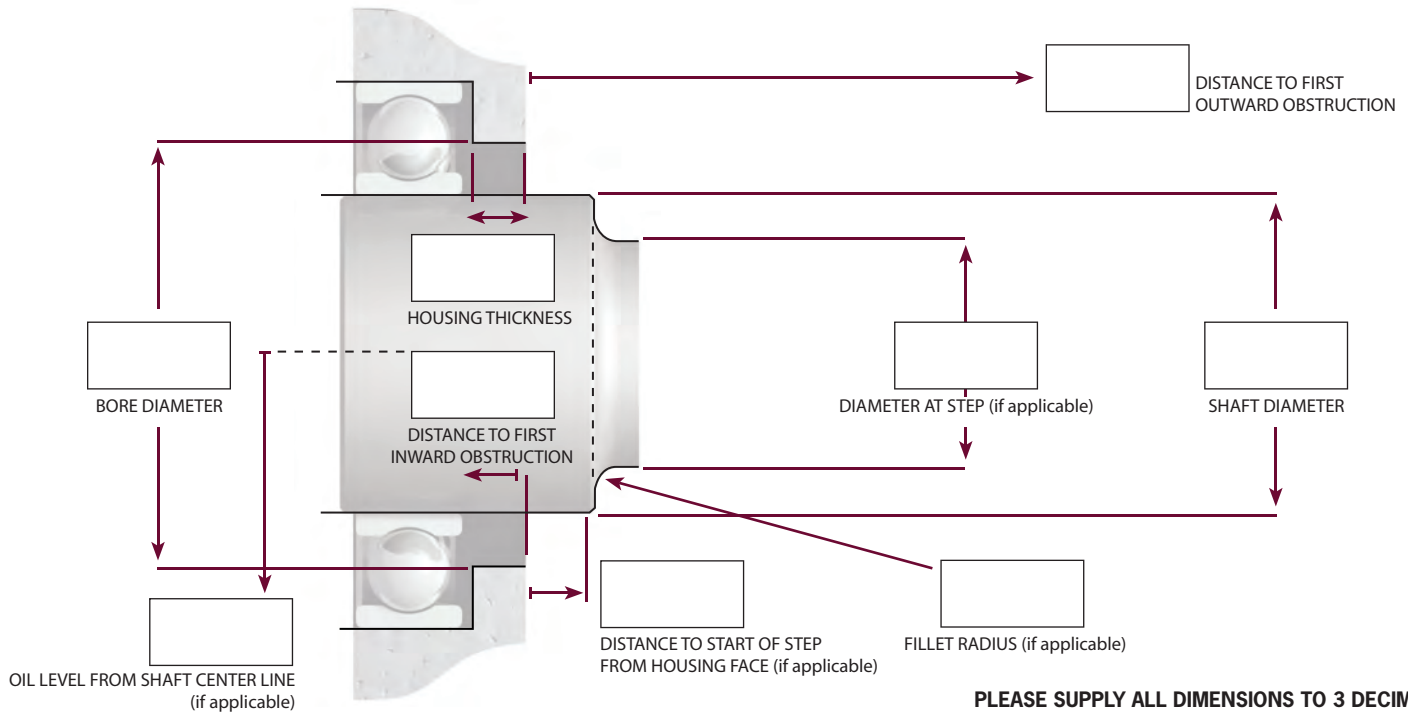
### FACTS AT A GLANCE

#### Inpro/Seal® Bearing Isolators installed on paper machine rolls:

- increase reliability and decrease maintenance costs by providing permanent bearing protection.
- are designed for heavy washdown and high humidity environments.
- can be used for both oil and grease applications.
- are available in split designs for easy installation.
- are custom engineered to meet the requirements of your application.



# PAPER MACHINE ROLL REQUEST FOR QUOTE



PLEASE SUPPLY ALL DIMENSIONS TO 3 DECIMAL PLACES

## Data Needed For Quote

**APPLICATION:** Paper Machine Roll Other \_\_\_\_\_

**CURRENT SEALING SOLUTION:** Lip Laby Other \_\_\_\_\_

**SHAFT POSITION:** Horizontal Vertical Up Vertical Down

**BEARING TYPE:** Ball Sleeve Roller

**MOUNTING:** Flange (see diagram) Other \_\_\_\_\_

**PRIMARY FOCUS:** Contamination Lube Retention Both

**LUBE:** Oil (level) \_\_\_\_\_ Grease Other \_\_\_\_\_

**FIRST OBSTRUCTION:** Step Keyway Other \_\_\_\_\_

**AXIAL MOVEMENT:** \_\_\_\_\_

**SHAFT SPEED:** \_\_\_\_\_

**MISALIGNMENT:**  
 Center of Bearing Isolator to center of associated bearing: \_\_\_\_\_  
 Length of roll between bearings: \_\_\_\_\_  
 Misalignment of one bearing relative to the other: \_\_\_\_\_

**TEMPERATURE AT SEAL:** °C | °F Min \_\_\_\_\_ Max \_\_\_\_\_

**ENVIRONMENT:** \_\_\_\_\_

**HOUSING TYPE:** Solid Split

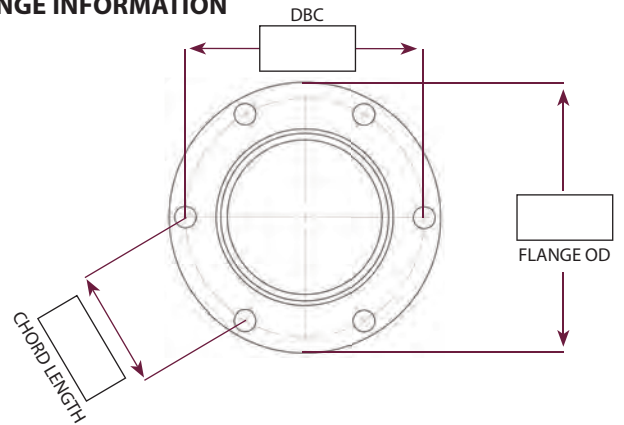
**SEAL TYPE:** Solid Split

**CONSTRUCTION MATERIAL:** Bronze Stainless Other \_\_\_\_\_

**TOTAL PIECES OF EQUIPMENT:** \_\_\_\_\_

**CONTACT FOR QUESTIONS:** \_\_\_\_\_

### FLANGE INFORMATION



Number of Bolt Holes: \_\_\_\_\_

Bolt Size: \_\_\_\_\_

### BRIEFLY DESCRIBE THE APPLICATION

---



---



---



---



---



---



---



---

Fax RFQ sheet to 309-787-6114 or email [info@inpro-seal.com](mailto:info@inpro-seal.com)