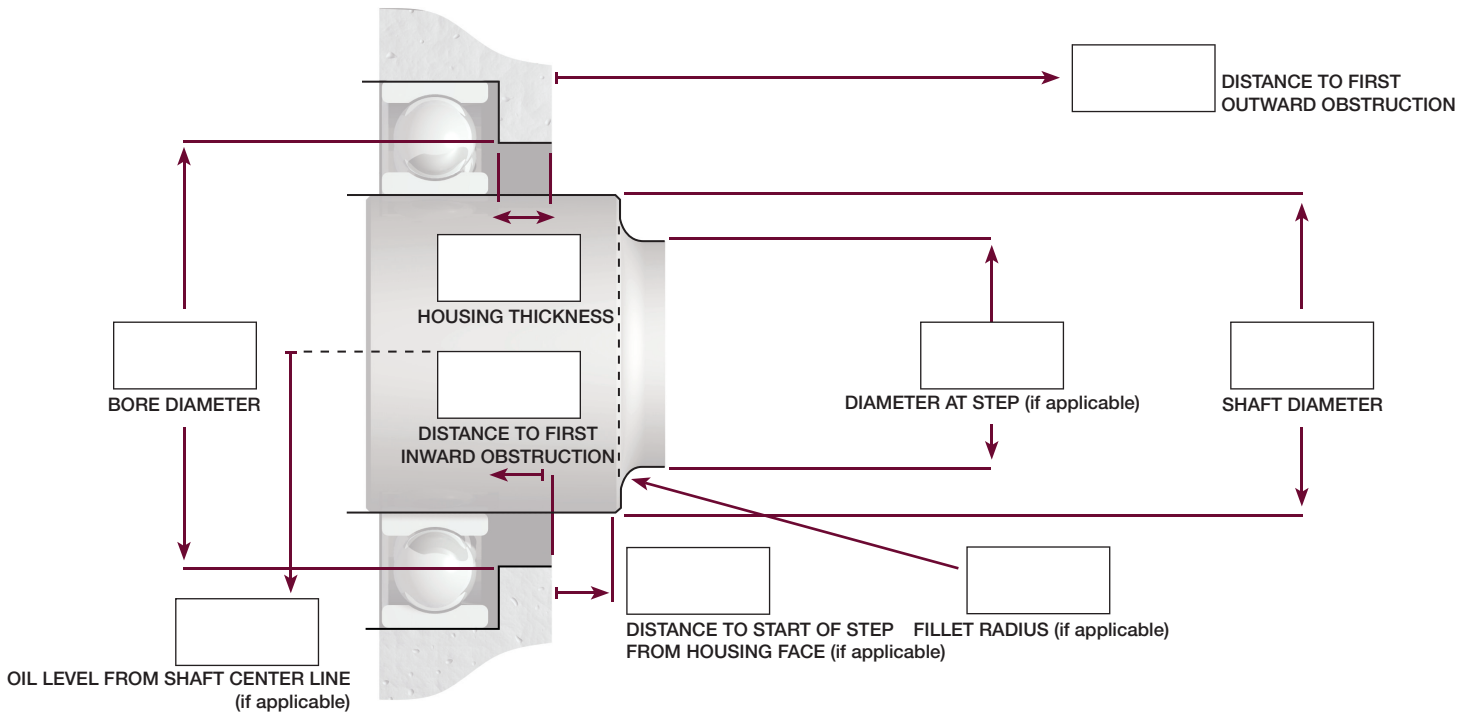


PAPER MACHINE ROLL REQUEST FOR QUOTE



MEASUREMENTS: US Standard (three decimal places) Metric (two decimal places)

Data Needed For Quote

CURRENT SEALING SOLUTION: _____

SHAFT POSITION: Horizontal Vertical Up Vertical Down

BEARING TYPE: Ball Sleeve Roller

MOUNTING: Flange (see diagram) Other _____

PRIMARY FOCUS: Contamination Lube Retention Both

LUBE: Grease Oil Sump Oil Mist Forced Oil System

FIRST OBSTRUCTION: Step Keyway Other _____

AXIAL MOVEMENT: _____

SHAFT SPEED: _____

MISALIGNMENT: _____

Center of Bearing Isolator to center of associated bearing: _____

Length of roll between bearings: _____

Misalignment of one bearing relative to the other: _____

TEMPERATURE AT SEAL: °C | °F Min _____ Max _____

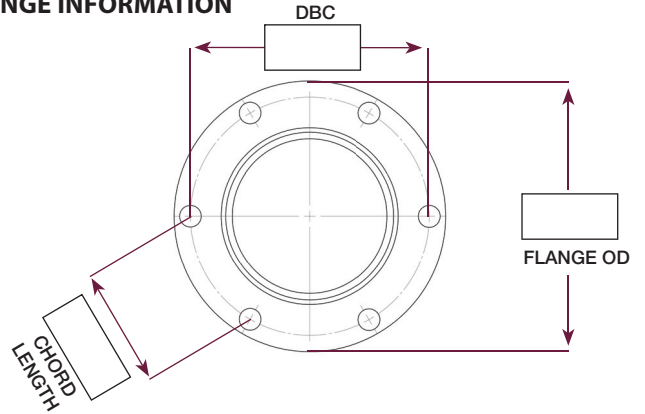
HOUSING TYPE: Solid Split

SEAL TYPE: Solid Split

SEAL MATERIAL: Bronze Stainless Other _____

CONTACT FOR QUESTIONS: _____

FLANGE INFORMATION



Number of Bolt Holes: _____

Bolt Size: _____

BRIEFLY DESCRIBE THE APPLICATION

Email RFQ to info@inpro-seal.com or your local Inpro/Seal Representative



INPRO/SEAL
a **DOVER** company

EXPERT ENGINEERING. PROVEN RESULTS.