

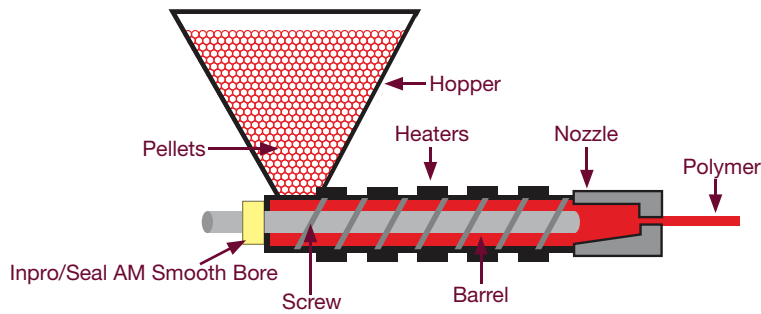


APPLICATION SOLUTIONS: **EXTRUDERS**

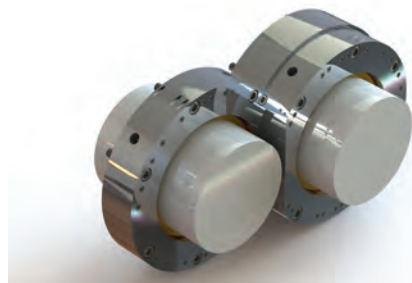
MAXIMIZE PRODUCT YIELD & DECREASE MAINTENANCE COSTS

Extruders in industrial process plants are critical assets. Typical shaft seals are unreliable and maintenance intensive due to their inability to accommodate radial run-out, axial movement and angular shaft misalignment. This causes shortened seal life, increased maintenance and costly product loss.

Effectively contain your product with custom engineered Inpro/Seal® AM (Air Mizer®) Solutions™ shaft seals. Rather than relying on conventional shaft sealing methods, AM Solutions shaft seals use air, or inert gas, as a non-contacting sealing mechanism, which eliminates shaft damage, friction, wear and seal maintenance. The unique design of AM Solutions shaft seals accommodate radial run-out, axial movement and angular shaft misalignment simultaneously.



Count on us to improve reliability, increase MTBR, and maximize asset protection and utilization. As the inventor of AM Solutions shaft seals and a global leader in engineered sealing solutions, Inpro/Seal has the knowledge and local sales network to deliver expert engineering and proven results.



The Inpro/Seal AM Smooth Bore DS (Dual Shaft) is designed specifically for twin shaft extruders with tight clearances between the shafts.



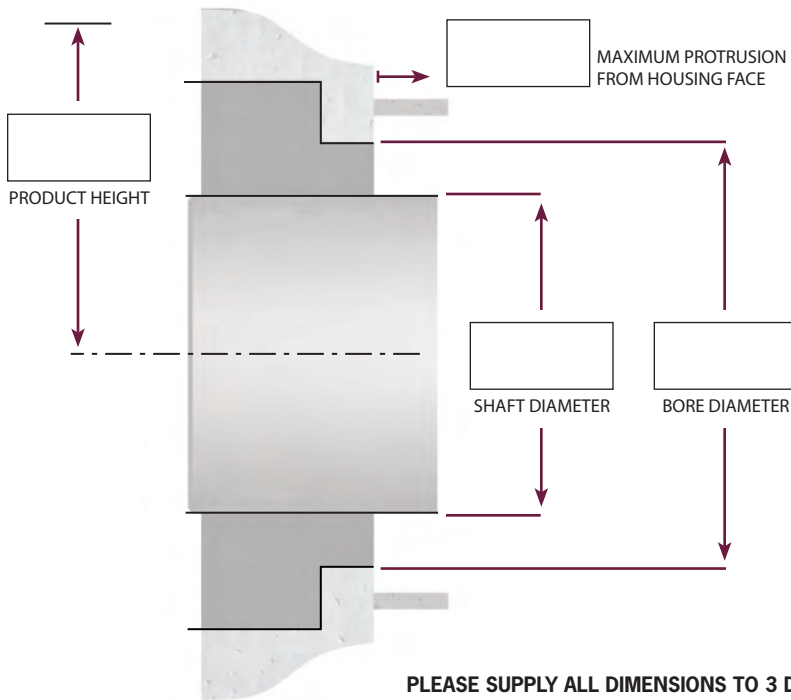
FACTS AT A GLANCE

Inpro/Seal® AM Solutions™ shaft seals installed on extruders:

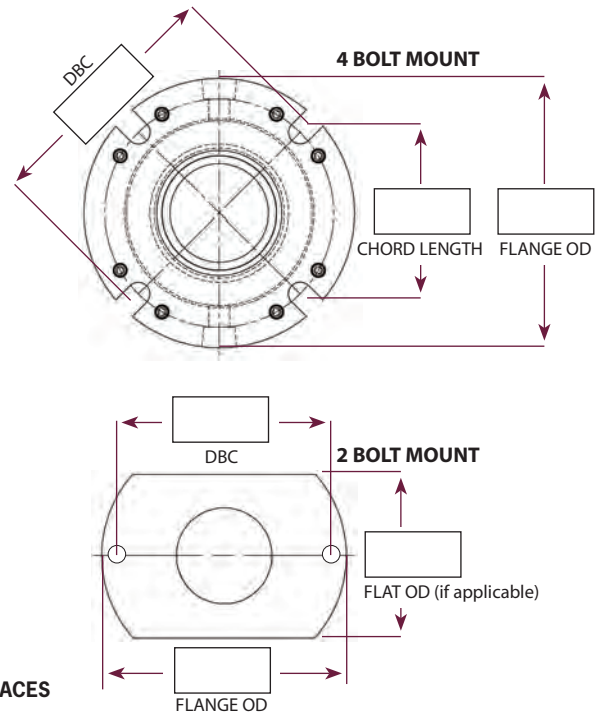
- effectively prevent product loss.
- can accommodate radial run-out, axial movement and angular shaft misalignment simultaneously.
- can be split for ease of installation.
- are a direct retrofit with no equipment modifications.
- require zero maintenance.
- improve plant safety and cleanliness.
- reduce scheduled maintenance intervals.
- can be designed to meet USDA and FDA specifications.



EXTRUDER REQUEST FOR QUOTE



PLEASE SUPPLY ALL DIMENSIONS TO 3 DECIMAL PLACES



Data Needed For Quote

VENTED TO ATMOSPHERE: Yes No

AIR INTO PRODUCT: Yes No

SEAL TYPE: Split Solid

APPLICATION: Extruder Mixer Blender Agitator
Other _____

CURRENT SEALING SOLUTION: Lip Packing
Other _____

SHAFT POSITION: Horizontal Vertical Up Vertical Down

PRIMARY DIMENSIONS: Shaft _____ Flange OD _____
Max OAL _____

PRODUCT TO BE SEALED: _____

PRODUCT DENSITY/SPECIFIC GRAVITY: _____

RPM: _____

TEMPERATURE AT SEAL: °C | °F Min _____ Max _____

TEMPERATURE OF PRODUCT: _____

CONCENTRATION OF PRODUCT: _____

MISALIGNMENT: DRO _____ STBM _____
Angular _____ Axial Movement _____

BOLTS/GLAND STUDS SIZE: _____

BOLT MOUNT: 2 4 Other _____

CONSTRUCTION MATERIAL: Bronze Stainless Other _____

O-RING MATERIAL: Viton Other _____

TOTAL PIECES OF EQUIPMENT: _____

CONTACT FOR QUESTIONS: _____

BRIEFLY DESCRIBE THE APPLICATION

Fax RFQ sheet to 309-787-6114 or email info@inpro-seal.com



INPRO/SEAL®
A Waukesha Bearings Business

EXPERT ENGINEERING. PROVEN RESULTS.