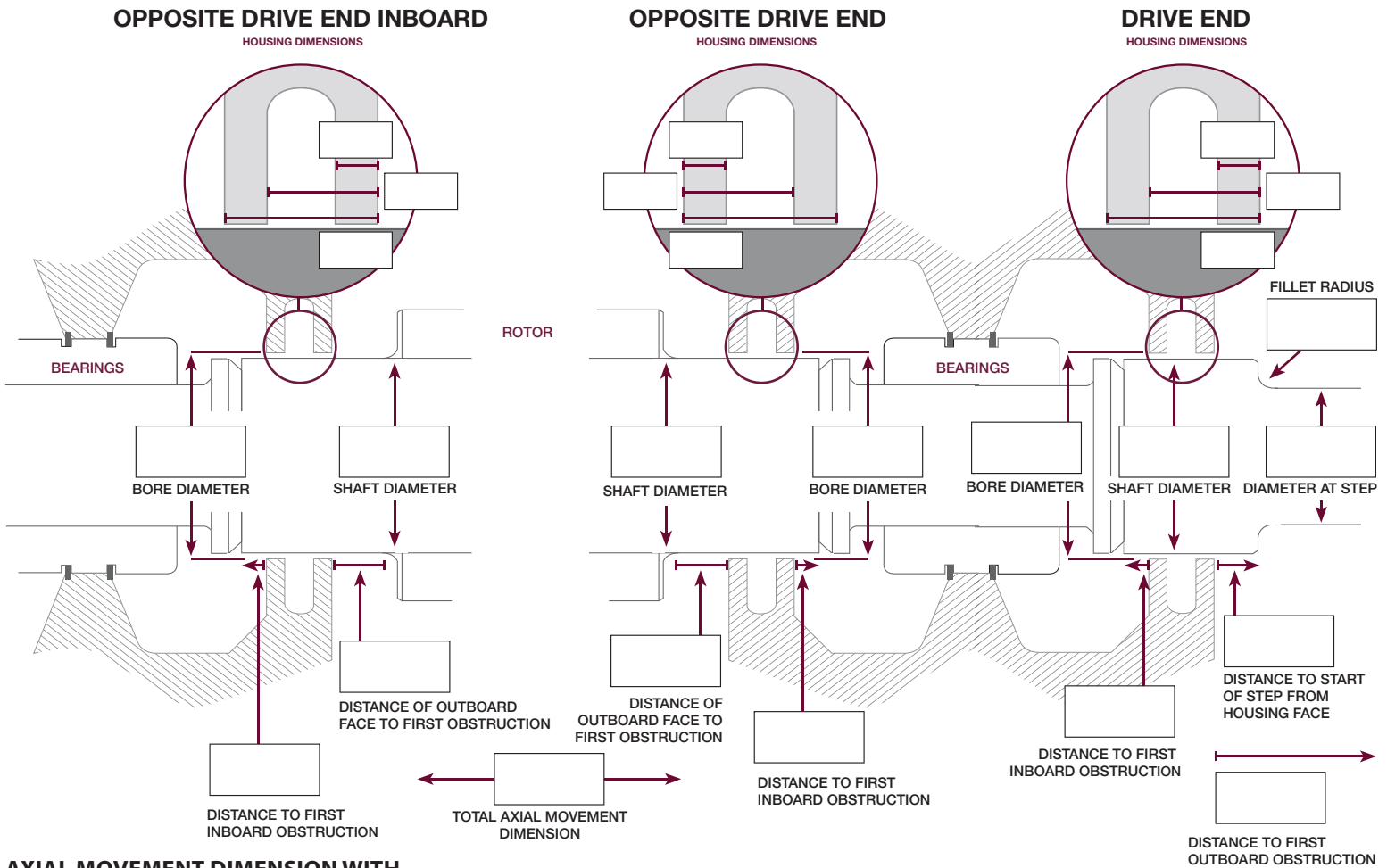


# SLEEVE BEARING MOTOR REQUEST FOR QUOTE



**AXIAL MOVEMENT DIMENSION WITH ROTOR THRUSTING TOWARD:** ODE DE

**MEASUREMENTS:**  US Standard (three decimal places)  Metric (two decimal places)

## Data Needed For Quote

**SHAFT SPEED:** \_\_\_\_\_

**SEAL LOCATION:** Drive End    Opposite Drive End  
Opposite Drive End Inboard

**HOUSING TYPE:** Solid    Split

**SEAL TYPE:** Solid    Split

**SEAL MATERIAL:** Bronze    Stainless    Other

**LUBE:** Oil    Forced Oil System

**HOUSING VENTED:** Yes    No

**TOTAL PIECES OF EQUIPMENT:** \_\_\_\_\_

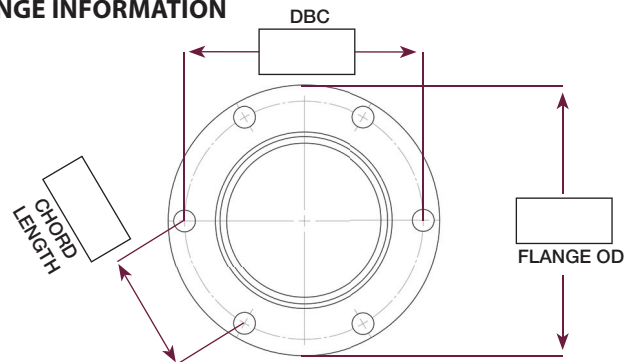
**PRESSURE BALANCE PASSAGE TO ATMOSPHERE:** Yes    No

**PRESSURE BALANCE PASSAGE TO SUMP:** Yes    No

**CONTACT FOR QUESTIONS:** \_\_\_\_\_

**BRIEFLY DESCRIBE THE APPLICATION** \_\_\_\_\_

### FLANGE INFORMATION



Number of Bolt Holes: \_\_\_\_\_

Bolt Size: \_\_\_\_\_

Email RFQ to [info@inpro-seal.com](mailto:info@inpro-seal.com) or your local Inpro/Seal Representative



**INPRO/SEAL**<sup>®</sup>  
a DOVER company

EXPERT ENGINEERING. PROVEN RESULTS.